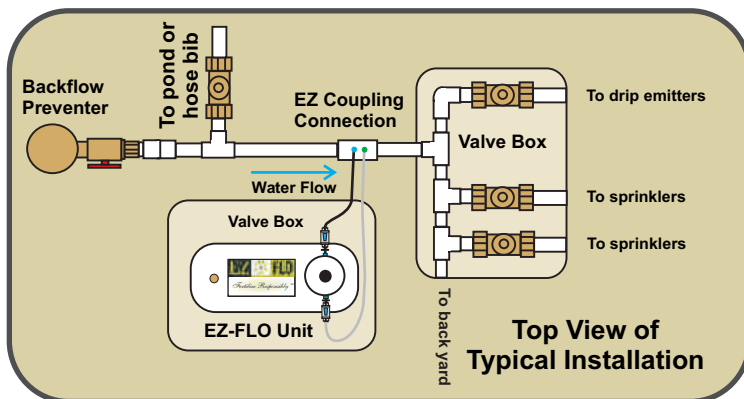


Typical Installation

The most common EZ-FLO installation is done by gluing an EZ-FLO coupling into the irrigation main line after an approved backflow device. The system is then connected to the coupling using the supplied 1/4" flexible tubing. The EZ-FLO system can be installed in a valve box in a standard valve box or under an artificial rock for added safety and security as well as protection from the elements.



Commercial Installations

An EZ-FLO ball valve connection (CBV) is required for installation of EZ005-FX (5 gallon capacity) and larger systems or for flow conditions below 120 GPH. The CBV provides the ability to adjust the differential pressure between the water in and fertilizer out connections which is beneficial when using heavy products such as organic supplements or when faster injection rates are required.

An optional EZ-FLO Saddle Venturi Fitting connection may be used in line sizes 4" and larger where CBV installations are not practical. It is installed by drilling two holes in the irrigation main line and bolting a pipe saddle with a customized EZ-FLO Saddle Venturi Fitting inserted into the line. This connection eliminates cutting the line and installing an EZ-FLO Ball Valve Coupling. **These installations should be reviewed by EZ-FLO engineering prior to installation to ensure piping system compatibility, flow dynamics and the proper placement of the connection.**