

Main Line - Standard Capacity

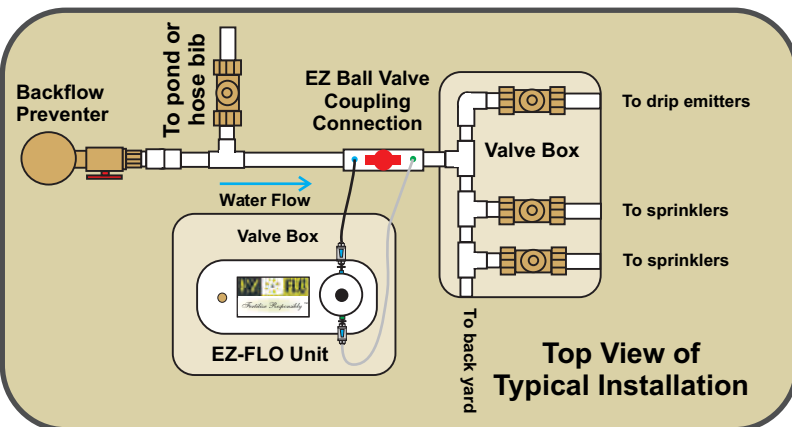


Automatically feed all the plant material every time you water.

For smaller commercial landscapes, residential landscapes, HOA's, model homes and grower applications. These systems normally install directly in the irrigation system main line after the back flow preventer. One system will feed both sprinkler and drip irrigation zones without requiring any adjustments.

Easy to install – Easy to use.

The system can be installed in minutes. Any liquid or water soluble fertilizer or supplement can be delivered - no pre-mixing required. EZ-FLO Premium Fertilizers, Organic Supplements and Premium Tested Products have been proven to provide superior landscape solutions. Simply fill the system every 4 to 6 weeks and it spoon feeds your landscape every time you water. Base refill frequency on desired results.



EZ001-CX Model shown above installed in a valve box. Systems include all installation components except the connector and valve box.

5 Year Warranty

One System Feeds All Zones Drip or Sprinkler

Model Number	Coverage - 4 to 6 Week Refill Cycle*			Capacity**		Gallons to Empty***			
	Turf % - Other % 100% - 0 %	Turf % - Other % 75% - 25 %	Turf % - Other % 50% - 50 %	Liquid	Water Soluble	Slow	1	2	Fast
EZ001 (CX)	Up to 6,000 sq. ft. (557 sq. m)	Up to 7,000 sq. ft. (650 sq. m)	Up to 10,000 sq. ft. (930 sq. m)	1.5 Gallons (5.7 liters)	10 - 12 lbs. (4.5 - 5.4 kg)	22,500	12,000	3,000	600
EZ003 (CX)	Up to 10,000 sq. ft. (930 sq. m)	Up to 12,000 sq. ft. (1,115 sq. m)	Up to 17,000 sq. ft. (1,580 sq. m)	2.5 Gallons (9.5 liters)	15 - 18 lbs. (6.8 - 8.2 kg)	37,500	20,000	5,000	1,000
EZ005 (FX)	Up to 30,000 sq. ft. (1,860 sq. m)	Up to 24,000 sq. ft. (2,230 sq. m)	Up to 34,000 sq. ft. (3,160 sq. m)	5 Gallons (19 liters)	30 - 35 lbs. (13.6 - 16.3 kg)	75,000	40,000	10,500	2,000
EZ010 (FX)	Up to 40,000 sq. ft. (3,720 sq. m)	Up to 48,000 sq. ft. (4,460 sq. m)	Up to 68,000 sq. ft. (6,320 sq. m)	10 Gallons (38 liters)	50 - 60 lbs. (22.7 - 27.2 kg)	150,000	80,200	21,000	4,000

*Assumes watering every other day. Turf requires more water and all turf landscapes will empty more quickly. These units will service larger landscapes when filled more frequently or and extended refill times may be achieved when using an organic bio-stimulant in combination with fertilizer. **All water soluble capacities are approximate. ***Gallons to empty is an estimate based upon the maximum quantity of water soluble fertilizer for a tank. Actual gallons to empty will vary depending on the solubility of the product used.

Main Line - High Capacity



For larger landscapes, parks, sports fields and grower applications.

High Capacity systems bring the **economy, simplicity and convenience of EZ-FLO fertigation to larger landscapes or when extra capacity is required.** These systems utilize the same easy to use, precision metering technology as standard capacity EZ-FLO systems. High Capacity systems provide significantly greater fertilizer capacity than other injectors because EZ-FLO can use full concentrates.

Higher Capacity = Lower Costs

The initial installation cost of our High Capacity systems is usually a fraction of the cost of other commercial injectors due to lower equipment costs, no electrical service, no large mixing tanks or tank housing structures. **Since there are no moving parts in any EZ-FLO system, there are no ongoing maintenance costs.**

Refilling is a breeze!

With the High Capacity Funnel Fill option it takes only minutes to refill a tank with hundreds of pounds of fully concentrated water soluble or liquid products. This means a 20 acre landscape can be serviced in as little as 10 to 15 minutes. **The typical labor savings range from 80% to 90% as compared to traditional fertilizing methods.** The system can service larger landscapes and applications when filled more frequently. These systems fit in large, commercial valve boxes or can be direct buried under the proper circumstances.



HC Funnel sold separately

Model Number	Coverage - 2 to 3 Week Refill Cycle*			Capacity**		Gallons to Empty***			
	Turf % - Other % 100% - 0 %	Turf % - Other % 75% - 25 %	Turf % - Other % 50% - 50 %	Liquid	Water Soluble	Slow	1	2	Fast
EZ010 (HC)	Up to 120,000 sq. ft. (11,148 sq. m)	Up to 140,000 sq. ft. (13,006 sq. m)	Up to 200,000 sq. ft. (18,581 sq. m)	10 Gallons (37.9 liters)	75-100 Pounds (34.0 - 45.4 kg)	225,000	120,000	30,000	6,000
EZ025 (HC)	Up to 300,000 sq. ft. (27,870 sq. m)	Up to 350,000 sq. ft. (32,516 sq. m)	Up to 500,000 sq. ft. (46,451 sq. m)	25 Gallons (95 liters)	200-250 Pounds (90 - 112 kg)	560,000	300,000	75,000	18,000

*Assumes watering every other day. Turf requires more water and all turf landscapes will empty more quickly. These units will service larger landscapes when filled more frequently or extended refill times may be achieved when using an organic bio-stimulant in combination with fertilizer. **All water soluble capacities are approximate. ***Gallons to empty is an estimate based upon the maximum quantity of water soluble fertilizer for a tank. Actual gallons to empty will vary depending on the solubility of the product used. Actual capacity of tank may vary, all capacities are approximations.