

COMMERCIAL CATALOG



A Green Solutions Company™



COMMERCIAL

HOA COMMUNITIES

MUNICIPAL & PARKS

RESIDENTIAL

SPORTS FIELDS

Environmental Benefits

Breaking Tradition

Traditional fertilization and horticultural practices are ruining our environment. Chemical fertilizers and pesticides, even when used at the recommended application rates, are still toxic to humans and animals and many cause cancer. Up to 80% of granular fertilizer is not absorbed by plants and much of it eventually leaches into ground waters or runs off into rivers, lakes and bays. This nutrient laden water stimulates algae growth which in turn suffocates fish and aquatic life.

Most traditional lawn care products also upset the soil's natural chemistry. Overuse of chemical fertilizers destroys the living organisms in the soil and creates salt buildup that eventually hardens and sterilizes the soil. **EZ-FLO fertilizers and dispensers are an eco-friendly alternative to traditional fertilization and horticultural practices.** Using EZ-FLO micro-dose technology, you can implement a superior, sustainable horticultural program that improves natural soil chemistry and eliminates salt buildup with a positive impact on the entire environment.

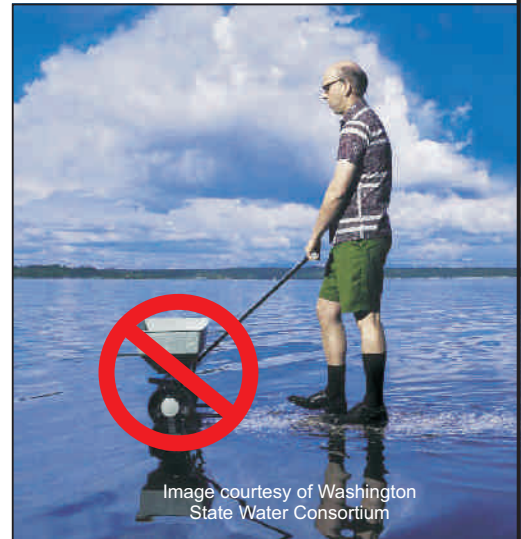
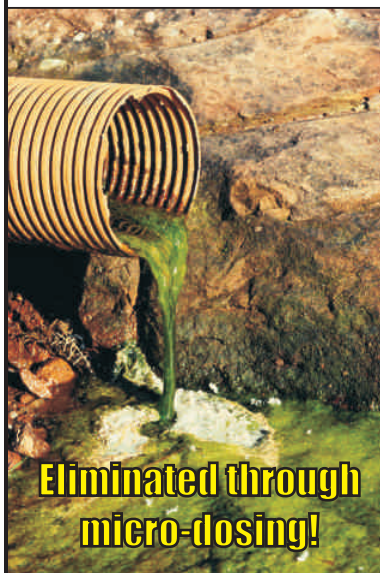


Image courtesy of Washington State Water Consortium



Eliminate Fertilizer Leaching and Runoff

EZ-FLO's patented proportioning systems deliver organic and organically enhanced nutrients in tiny amounts through any type of irrigation system. By applying these nutrients in small "micro-doses", every time you water, nearly all the nutrients delivered are absorbed by the plant. This superior nutrient absorption means the amount of **fertilizer applied can be reduced by 70% to 90% while improving the look of the landscape.** Applying fertilizer in micro-doses virtually eliminates fertilizer leaching and runoff.

Save Water

"Micro-dose" feeding of organic and natural nutrients helps plants create a healthier, more dense root structure which enables them to utilize water more efficiently. Increasing the organic content in soils increases the water holding capacity and makes plants more drought tolerant. Studies have proven **water savings of 20% to 50% when plants are fed in small micro-doses.**

Reduce Pesticide and Herbicide Use

Organically based fertilizers raise the protein value in the plant which strengthens its natural defenses against insects and disease. This has been proven to help reduce the use of pesticides and herbicides by 50% or more.

Reduced Carbon Footprint

Manufacturing one pound of synthetic nitrogen fertilizer consumes 24,600 BTU's of energy which translates into a very significant carbon footprint. Studies have also shown that energy is a large component of the cost of water. EZ-FLO's patented flow and delivery method significantly reduces your carbon footprint by reducing fertilizer needs by 70% to 90%. When this reduction is combined with lower transportation costs, fertilizer application savings and water savings, **your carbon footprint can be reduced by over 95%.**

The EZ-FLO Advantage over dry fertilization methods.

Cost Savings

- ▶ **Fertilizer cost savings** - Organic and synthetic fertilizers and amendments provided by EZ-FLO are typically less expensive because 80% less is required.
- ▶ **Labor cost savings** - virtually all application labor is eliminated.
- ▶ **One step application of fertilizers, soil amendments, insect control, critter control** or any other product required to solve landscape problems and improve plant health while increasing soil biology.

Sustainable Horticultural Practices

- ▶ **Organic based fertilizers and amendments improve soil fertility**, help remediate toxic elements in soils and reverse the damage done to the soil by chemical products.
- ▶ **More options are available** to deal with the full spectrum of horticultural conditions that can be present in landscape applications.
- ▶ **Chemical runoff eliminated** - into rivers and streams as well as chemical leaching into ground waters.
- ▶ **Water savings of 20% to 50%.**
- ▶ **Fertilizer requirements reduced from 70% to 90%.**
- ▶ **Herbicide and pesticide use reduced by 50% or more.**

The EZ-FLO Advantage over other fertigation equipment.

Patented Flow Technology

- ▶ **No pre-mixing or pre-dilution required** - EZ-FLO uses fully concentrated products. Other equipment requires products to be pre-diluted by 3 to 10 times. Since no premixing is required, it is easier to refill.
- ▶ **The most durable** - EZ-FLO is manufactured to the highest standards and it has no moving parts. This makes EZ-FLO the most durable equipment in the market - **5 Year Warranty.**
- ▶ **Wide range of adjustability.** Products can be delivered very quickly if required to resolve an issue immediately or in "micro-dosing" amounts, over an extended period of time, which provides the maximum plant nutrient uptake.
- ▶ **Delivers more products** - EZ-FLO is the only equipment that can deliver virtually any type of concentrated liquid or water soluble product without the risk of plugging. Other equipment requires products to be heavily pre-diluted to avoid plugging. This is especially important when dealing with heavy organic products.

Extensive Product Line and Customer Support

- ▶ **The largest distribution and sales network** in this market segment.
- ▶ **Systems for every application** - from small vegetable gardens and residential landscapes to city parks, sports fields, HOA's, amusement parks, golf and agriculture.
- ▶ **Web based Authorized Installer Training** for professional installers.
- ▶ **The most extensive offering** of organic, natural and synthetic fertilizers, organic soil supplements and controls in this market segment.
- ▶ **There is no requirement to use EZ-FLO tested products only.**

Main Line - Standard Capacity



Automatically feed all the plant material every time you water.

For smaller commercial landscapes, residential landscapes, HOA's, model homes and grower applications. These systems normally install directly in the irrigation system main line after the back flow preventer. One system will feed both sprinkler and drip irrigation zones without requiring any adjustments.

Easy to install – Easy to use.

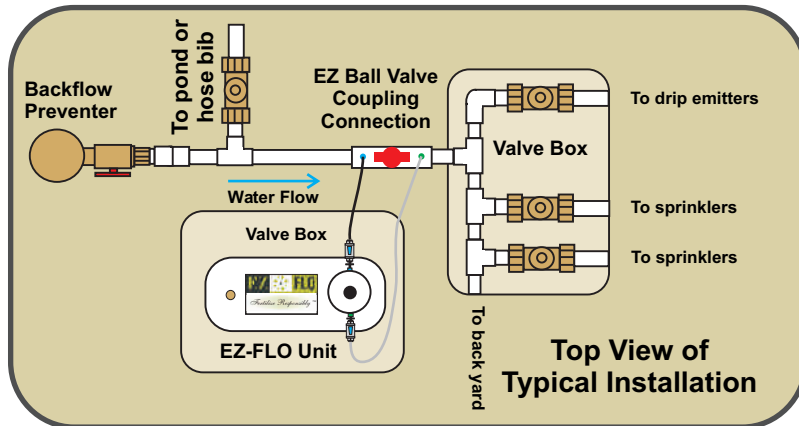
The system can be installed in minutes. Any liquid or water soluble fertilizer or supplement can be delivered - no pre-mixing required. EZ-FLO Premium Fertilizers, Organic Supplements and Premium Tested Products have been proven to provide superior landscape solutions. Simply fill the system every 4 to 6 weeks and it spoon feeds your landscape every time you water. Base refill frequency on desired results.



EZ001-CX Model shown above installed in a valve box. Systems include all installation components except the connector and valve box.

5 Year Warranty

One System Feeds All Zones Drip or Sprinkler



Model Number	Coverage - 4 to 6 Week Refill Cycle*			Capacity**		Gallons to Empty***			
	Turf % - Other % 100% - 0 %	Turf % - Other % 75% - 25 %	Turf % - Other % 50% - 50 %	Liquid	Water Soluble	Slow	1	2	Fast
EZ001 (CX)	Up to 12,000 sq. ft. (1,116 sq. m)	Up to 18,000 sq. ft. (1,674 sq. m)	Up to 24,000 sq. ft. (2,232 sq. m)	1.5 Gallons (5.7 liters)	10 - 12 lbs. (4.5- 5.4 kg)	22,500	12,000	3,000	600
EZ003 (CX)	Up to 18,000 sq. ft. (1,674 sq. m)	Up to 27,000 sq. ft. (2,511 sq. m)	Up to 36,000 sq. ft. (3,348 sq. m)	2.5 Gallons (9.5 liters)	15 - 18 lbs. (6.8 - 8.2 kg)	37,500	20,000	5,000	1,000
EZ005 (FX)	Up to 35,000 sq. ft. (3,255 sq. m)	Up to 52,000 sq. ft. (4,836 sq. m)	Up to 70,000 sq. ft. (6,510 sq. m)	5 Gallons (19 liters)	30 - 35 lbs. (13.6 - 16.3 kg)	75,000	40,000	10,500	2,000
EZ010 (FX)	Up to 60,000 sq. ft. (5,580 sq. m)	Up to 90,000 sq. ft. (8,370 sq. m)	Up to 120,000 sq. ft. (11,160 sq. m)	9.4 Gallons (35.6 liters)	50 - 60 lbs. (22.7 - 27.2 kg)	141,000	75,200	18,800	3,760

*Assumes watering every other day. Turf requires more water and all turf landscapes will empty more quickly. These units will service larger landscapes when filled more frequently or and extended refill times may be achieved when using an organic bio-stimulant in combination with fertilizer. **All water soluble capacities are approximate.

***Gallons to empty is an estimate based upon the maximum quantity of water soluble fertilizer for a tank. Actual gallons to empty will vary depending on the solubility of the product used.

Main Line - High Capacity



For larger landscapes, parks, sports fields and grower applications.

High Capacity systems bring the **economy, simplicity and convenience of EZ-FLO fertigation to larger landscapes or when extra capacity is required.** These systems utilize the same easy to use, precision metering technology as standard capacity EZ-FLO systems. High Capacity systems provide significantly greater fertilizer capacity than other injectors because EZ-FLO can use full concentrates.

Higher Capacity = Lower Costs

The initial installation cost of our High Capacity systems is usually a fraction of the cost of other commercial injectors due to lower equipment costs, no electrical service, no large mixing tanks or tank housing structures. **Since there are no moving parts in any EZ-FLO system, there are no ongoing maintenance costs.**

Refilling is a breeze!

With the High Capacity Funnel Fill option it takes only minutes to refill a tank with hundreds of pounds of fully concentrated water soluble or liquid products. This means a 20 acre landscape can be serviced in as little as 10 to 15 minutes. **The typical labor savings range from 80% to 90% as compared to traditional fertilizing methods.** The system can service larger landscapes and applications when filled more frequently. These systems fit in large, commercial valve boxes or can be direct buried under the proper circumstances.



HC Funnel sold separately

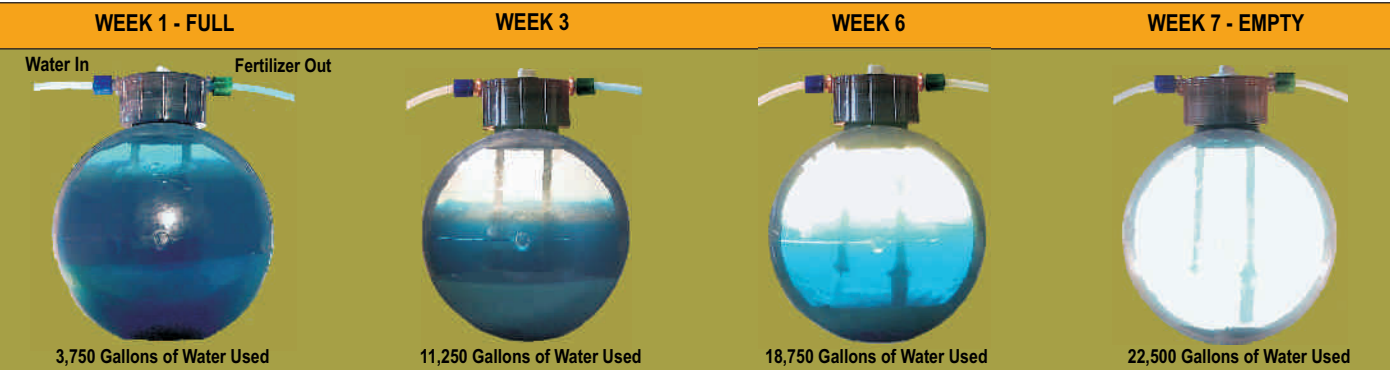
Model Number	Coverage - 4 to 6 Week Refill Cycle*			Capacity**		Gallons to Empty***			
	Turf % - Other % 100% - 0 %	Turf % - Other % 75% - 25 %	Turf % - Other % 50% - 50 %	Liquid	Water Soluble	Slow	1	2	Fast
EZ010 (HC)	Up to 100,000 sq. ft. (9,300 sq. m)	Up to 150,000 sq. ft. (13,950 sq. m)	Up to 200,000 sq. ft. (18,600 sq. m)	10 Gallons (37.9 liters)	75-100 Pounds (34.0 - 45.4 kg)	150,000	80,000	20,000	4,000
EZ017 (HC)	Up to 175,000 sq. ft. (16,275 sq. m)	Up to 262,000 sq. ft. (24,366 sq. m)	Up to 350,000 sq. ft. (32,550 sq. m)	17.5 Gallons (66.3 liters)	125-175 Pounds (59.5 - 79.5 kg)	262,500	140,000	35,000	7,000
EZ025 (HC)	Up to 250,000 sq. ft. (23,250 sq. m)	Up to 350,000 sq. ft. (32,550 sq. m)	Up to 500,000 sq. ft. (46,500 sq. m)	25 Gallons (94.7 liters)	175-250 Pounds (85 - 113.5 kg)	375,000	200,000	50,000	10,000

*Assumes watering every other day. Turf requires more water and all turf landscapes will empty more quickly. These units will service larger landscapes when filled more frequently or extended refill times may be achieved when using an organic bio-stimulant in combination with fertilizer. **All water soluble capacities are approximate. ***Gallons to empty is an estimate based upon the maximum quantity of water soluble fertilizer for a tank. Actual gallons to empty will vary depending on the solubility of the product used. Actual capacity of tank may vary, all capacities are approximations.

Technical Specifications



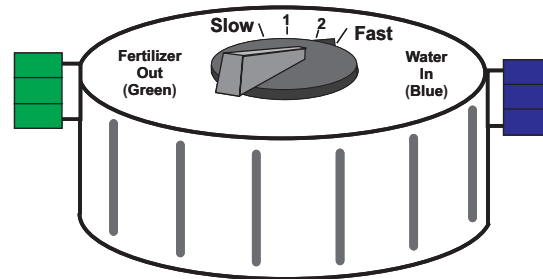
Prior to the development of EZ-FLO's technology, fertigation equipment was complex, expensive and required larger storage tanks to handle diluted products. EZ-FLO's technology changes that by making fertigation simple, inexpensive and inconspicuous. With an EZ-FLO system you simply fill the tank with concentrated products, set the feed dial and the rest is automatic. The following time lapse photos of a clear EZ-FLO system in operation demonstrate how the technology works. EZ-FLO's patented, fluid flow technology **creates separation of fertilizer and water which prevents dilution** with the unique ability to **consistently meter all elements of the fertilizer mix, from start to finish**. Because EZ-FLO does the proportional mixing of fully concentrated products in the bottom of the tank there is no need for pre-diluted liquids as compared to other injectors. As a result an EZ-FLO system has the same delivery capacity as other injectors with tanks 2 to 10 times larger.



Because it pulls from the heavier concentrate at the bottom of the tank, EZ-FLO technology enables accurate proportioning through the end of the fill cycle.

Proportioning Specifications

In Line Connection				
Setting	Ratio*	Fertilizer Distribution Rate		
		Per Gallon of Water		Per Liter of Water
		Ounces	Teaspoons	ML
Slow	15000 : 1	.009	1/20	.07
1	8000 : 1	.016	1/10	.13
2	2000 : 1	.064	2/5	.50
Fast	400 : 1	.320	2	2.50
Hose Bib Connection				
Slow	1000 : 1	.125	3/4	1.0
1	500 : 1	.250	1 1/2	2.0
2	250 : 1	.500	3	4.0
Fast	100 : 1	1.250	7 1/2	10.0



OPERATING RANGES

MINIMUM FLOW NEEDED(CBV)*	From 2.5 GPH (9.5 LPH)
OPERATING PRESSURE RANGE	5 PSI Min. (.34 bars)
POLY TANK	80 PSI Max. (5.5 bars)
PVC TANK	100 PSI Max. (6.9 bars)
STATIC (Constant) PRESSURE	
PVC TANK (Main Line Units)	100 PSI Max. (6.9 bars)
PRESSURE RELEASE VALVE**	150 PSI Max. (10.0 bars)

*Standard Coupling & Hose Bib Connectors require minimum 120 GPH flow
Ball Valve Connection (CBV) required if flow is below 120 GPH
**Only on Main Line units.

*Ratio refers to the amount of water mixed with the fertilizer. For example, a 400 : 1 ratio means 400 gallons of water will be mixed with 1 gallon of fertilizer solution. In Line connection is based on a 1" coupling. Hose bib units converted for use in an in line installation will have the same proportioning ratio as in line units.

Equipment Sizing

Model	Capacity		Coverage 4-6 Weeks - Square Feet		Valve Box Size	
	Gallons	Pounds	Mixed Landscape	Trees, Shrubs, Flowers	L X W X H	L X W X H
					Full Access	Direct Bury
EZ001-CX	1.5	10-12	10-12,000	20-24,000	15" X 10" X 12"	
EZ003-CX	2.5	15-18	15-18,000	30-36,000	20" X 16" X 12"	
EZ005-FX	5.0	30-35	30-35,000	60-70,000	30" X 18" X 17"	
EZ010-FX	9.4	50-60	50-60,000	100-120,000	30" X 18" X 17"	15" X 10" X 12"
EZ010-HC	10.0	75-100	75-100,000	150-200,000	36" X 24" X 24"	19" X 14" X 12"
EZ017-HC	17.5	125-175	125-175,000	275-350,000	36" X 24" X 24"	19" X 14" X 12"
EZ025-HC	25.0	200-250	200-250,000	400-500,000	36" X 24" X 24"	19" X 14" X 12"

Product Coverage

Product - Part Number	Gallons Pounds	Coverage 10,000 Square Feet For 4-6 Weeks			
		Mixed Landscape		Trees, Shrubs, Flowers	
		Initial Rate	Maintenance	Initial Rate	Maintenance
<i>Premium Organic Based Water Soluble Products</i>					
EZ-GRO All Purpose Fertilizer - EZG 23-13-10	Pounds	3.00	2.50	2.50	2.50
EZ-GRO Soil Fertility Booster - EZG SFB	Pounds	0.20	0.20	0.20	0.20
<i>Organic Bio-Stimulant & Soil Conditioner</i>					
Live Earth Great 8 - EZ LE Great8	Gallons	0.50	0.25	0.50	0.25
Turf Pro - EZ TurfPro	Gallons	0.50	0.25	0.50	0.25
Turf Pro Plus - EZ TurfPlus	Gallons	0.50	0.25	0.50	0.25
<i>Natural Liquid Fertilizer</i>					
Live Earth Emerald Green - EZ LEF 848	Gallons	1.25	1.00	0.50	0.50
Live Earth Harmony - EZ LEF 626	Gallons	1.25	1.00	0.50	0.50
Live Earth Harmony Plus - EZ LEF 1834	Gallons	1.25	1.00	0.50	0.50
Live Earth Blitz Plus - EZ LEF 2200	Gallons	1.25	1.00	0.50	0.50
<i>Organic Liquid Fertilizer</i>					
Mega Green - MG 231	Gallons	1.25	1.00	0.50	0.50
<i>Dry Water Soluble Fertilizer</i>					
10-20-30 - GRM 102030-25	Pounds	10.00	5.00	5.00	2.50
25-15-10 - GRM 251510-25	Pounds	10.00	5.00	5.00	2.50
28-8-18 - GRM 28818-25	Pounds	10.00	5.00	5.00	2.50
20-20-20 - GRM 202020-25	Pounds	10.00	5.00	5.00	2.50
<i>Other Products</i>					
EZ Organic Critter Control - EZ Critter	Gallons	1.00	0.13	1.00	0.13
EZ Super Cal - EZ SuperCal	Gallons	1.25		1.25	
EZ Liquid Gypsum - EZ LiqGyp	Gallons	2.50		2.50	
ProKill Insect Control - EZ Insect	Gallons	0.25		0.25	
Ark Pro Odor Control - EZ ArkPro	Gallons	2.00		2.00	

Organically Balanced - Highly Concentrated

EZ-GRO water soluble fertilizers combine plant nutrients with concentrated organic bio-stimulants and beneficial micro-biology. This provides incredible results, superior economics and ease of application while it promotes sustainable horticultural practices.

Incredible Results - A Little Does A Lot

- ▶ Up to 20 times more coverage capacity
- ▶ Use 70% less than other water soluble fertilizers
- ▶ Use 95% less than dry fertilizers
- ▶ Use 90% less than liquid fertilizers
- ▶ Superior Results
- ▶ Eliminates waste

Because EZ-GRO fertilizers are highly concentrated (up to 20 times the coverage capability of other fertilizers) you can use 70% to 95% less fertilizer and have superior results.

The results shown are from applying EZ-GRO at a rate of 1/3 of a pound per 1,000 square feet per month. In

comparison, synthetic water soluble fertilizers are applied at a rate of 1 pound per 1,000 square feet, dry fertilizers at a rate of 6 pounds per 1,000 square feet and liquid fertilizers at a rate of 15 oz. per 1,000 square feet.

Superior Economics

- ▶ Save 20% to 30% on fertilizer costs
- ▶ Save on equipment costs

The cost of EZ-GRO fertilizer is higher than other products when it is compared on a per pound basis but actually costs up to 30% less due to its high concentration and coverage capabilities. EZ-GRO fertilizers are highly concentrated and the nutrient uptake is more efficient than with other products due the organic bio-stimulants and micro-biology. EZ-GRO eliminates the water in liquid products and the inert material in dry products. This concentrated nutrient package adds efficiency. It reduces capital equipment costs because a smaller EZ-FLO system can be used to cover a larger area. It also reduces transportation costs and is easier to handle and store.

All Purpose

EZ-GRO All Purpose Plant Food

EZG 23-13-10 Organically balanced water soluble fertilizer with micro nutrients that is high in humic and fulvic acids along with a complete package of biologicals and mycorrhizae. Perfect for all landscape and growing applications.

Application rate - 1 pound per 3,000 square feet per month

EZ-GRO Soil Fertility Booster

EZG SFB The same water soluble organic bio-stimulant that as in the EZ-GRO All Purpose Plant Foods. It can be added to other liquid and water soluble fertilizers to provide organic support.

Application rate - 1 ounce per 3,500 square feet per month



Consistent greening and growth from week 1 to week 4 - applied at 1/3 pound per 1,000 square feet.

The Organic and Natural Advantage

Using EZ-FLO to add organic materials to soil greatly improves soil fertility while it counteracts the negative affect chemical fertilizers have had on soil fertility. Organic fertilizers and bio-stimulants are products that contain carbon humates and other soil enriching materials. Soils rich in humates greatly improve a plant's ability to uptake nutrients and to establish healthy root structures.

Carbon Based Organic Fertilizers and Bio-Stimulants

- Stimulate the growth of beneficial bacteria and fungi for a healthy root zone
- Convert nutrients in the soil to more readily available forms
- Promote more effective water penetration, transmission and retention
- Provide stored energy for plant growth
- Greatly reduce or eliminate the need for chemical fertilizers

Use Less Fertilizer

Chemical fertilizers shortcut the organic cycle and feed the plants directly without tending to the soil's health. Studies have proven that **chemical fertilizers rapidly deplete soil fertility** which then requires the use of more and more fertilizer to get the same results. This negative cycle can be reversed by using EZ-FLO to reintroduce humic substances back into the soil through the irrigation system. **Use of carbon based fertilizers and bio-stimulants can reduce the need for fertilizers by 50% or more!** The following organic fertilizers, natural fertilizers and organic bio-stimulants have been tested by EZ-FLO and have shown to provide superior results.

Organic Bio-Stimulants

Live Earth



Liquid 6

EZ LE6: Bio-stimulant that is high in humic acids. It conditions the soil and water while it buffers salts.

Great 8

EZ LE Great 8: Bio-stimulant that is high in humic and fulvic acids along with Norwegian sea kelp and a yucca surfactant. It also contains biologicals and micro nutrients. Extremely good for soil conditioning and removing salts.

Turf Pro USA



Turf Pro

EZ TurfPro: Bio-Stimulant and soil conditioner that is high in humic and fulvic acids with a complete package of active biologicals and a full spectrum of micro nutrients. Extremely good for soil conditioning.

Turf Pro Plus

EZ TurfPlus: Turf Pro with the addition of chelated (non-staining) iron for enhanced greening.

Application rate for the above products - 1 Quart per 10,000 square feet per month.

Agri Gro



Organic Nutrition Supplement

EZ LNS: Bio-stimulant and soil conditioner with micro nutrients.

Application rate for the above product - 1 Pint per 10,000 square feet per month.

Organic and Natural Fertilizers

Live Earth - Carbon Balanced Liquid Fertilizer



Live Earth carbon balanced fertilizers combine organic bio-stimulants with organic and synthetic Nitrogen, Phosphorous and Potash to provide a complete, organically balanced fertilization program for virtually all types of growing requirements. These products improve the soil conditions while they provide essential nutrients.

Harmony 6-2-6

EZ LEF 626: Excellent year round fertilizer. It promotes moderate top growth and strong root development and soil conditioning. Excellent for the entire landscape.

Harmony Plus 18-3-4

EZ LEF 1834P: Excellent year round formula for the entire landscape. Added greening for turf and essential macro nutrients with iron for good plant health for turf, shrubs and flowers with moderate top growth, strong root development and excellent soil conditioning.

Blitz Plus 22-0-0

EZ LEF 2200P: This is the same as Blitz 22-0-0 but with an added 6% chelated (non-staining) iron for enhanced greening.

Emerald Green 8-4-8

EZ LEF 848: A significant breakthrough in liquid fertilizer technology. Its unique three way chelation system provides unprecedented nutrient availability to the plant providing exceptional greening and plant health year round. It promotes moderate top growth, strong root development and excellent soil conditioning.

Mega Green - 100% OMRI Certified Liquid Fertilizer



MG231: Hydrolized, virtually odor free, fish product rich in amino acids which provide plant protein to enhance plant health; provides moderate growth and deep greening. Good for all turf and landscape applications.

Application rates for the above products - ½ gallon trees and shrub, 1 gallon turf, per 10,000 sq. ft. per month

Synthetic Fertilizers

Water Soluble Fertilizers

10-20-30

GRM 102030: Good starter, transplant and winterizer formula. It promotes root growth and helps prevent transplant shock. Good cool weather blend.

25-15-10

GRM 251510: This formula is good for the entire landscape throughout the growing season. It promotes vigorous growth, vibrant colors and blooms.

28-8-18

GRM 28818: Good turf formula. It promotes maximum turf greening without excessive top growth while it strengthens the root system which promotes drought tolerance.

20-20-20

GRM 202020: This is a general purpose, balanced formula for turf, ornamentals, flowering shrubs and bedding plants.

Application rate for the above products - 5 pounds trees and shrubs, 10 pounds turf, per 10,000 sq. ft. per month

EZ Organic Critter Control



This 100% organic formula is an effective way to rid properties of plant eating animals without harming them. **Eliminates exposure to the toxic poisons** contained in other control methods. **Use this product directly on your landscape every time you water** for continuous control.

EZ Critter Control can be safely mixed with all fertilizers and insect control. An initial barrier application, full strength if you have an existing problem or if not, **1 gallon per 10,000** square feet, is required. The suggested maintenance coverage rate thereafter is **1 pint per 10,000** square feet per month



Effectively Repels

Deer, gophers, voles, moles, rabbits, mice/rats, geese, and others too numerous to mention.

Calcium Based Supplements



Calcium is the second highest element in plant tissue and essential to plant health. **Calcium strengthens cell tissue** making the plant more disease resistant and better able to endure harsh weather conditions. Calcium also helps to reduce soil salinity which is the leading cause of trapped nutrients. Finally calcium supplements help fracture compacted soils which promotes water penetration and water retention.

EZ LiqGyp: Soil Conditioner for Alkaline Soils (high ph)

Application Rate - 2.5 gallons per 10,000 Square Feet

ProKill Insect Control

This product is very toxic to insects but not to humans, pets or the environment. It is a non-systemic product that can be applied full strength or diluted as required. **There are no harsh chemical odors or staining.** It can be applied every time you water for continuous control.

Suggested spray coverage rate - 1 quart for 10,000 sq. ft. per month.





A Green Solutions Company™

Toll Free 866-393-5601

Fax 916-652-5754

www.ezflorfertilizing.com

[email: info@ezflorfertilizing.com](mailto:info@ezflorfertilizing.com)