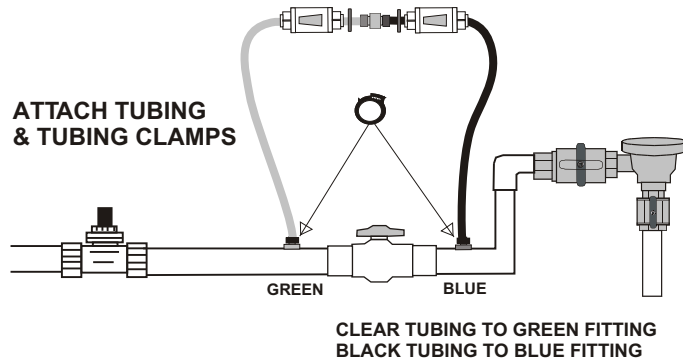
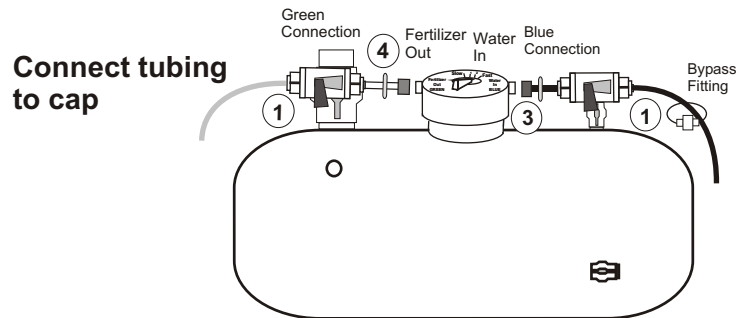


## Connect System to Irrigation Lines

**Step 5 - Attach tubing** to the blue and green barbed fittings. Press the black tube over the blue fitting and the clear tube over the green fitting. Put tubing clamps over the tubing below the barbed end of the fitting and squeeze them until they are tightly secured.



**Step 6 - Connect tubing to tank cap** by removing the blue and green connector nuts from the bypass fitting by turning them in a counter clockwise direction. (Attach bypass fitting to tubing for later use). Connect the blue connector nut to the water in side of the tank cap. Connect the green connector nut to the fertilizer out connection on the cap. Turn the water on to the system.



1. Shut off valves in the off position
2. Turn water on at back flow preventer
3. Connect blue connector to water in connection on cap
4. Connect green connector to fertilizer out connection on cap.

## Set Flow Adjustment

**Step 8 - Set the flow rate by adjusting the valve and the adjustment knob on the tank cap.** (The valve will only require adjustment at initial startup.)

1. With the cap adjustment setting in the fast position, turn on the sprinkler or drip zone with the lowest gallons per minute flow rate.
2. Slowly close the valve very slightly, until you can see fluid movement or color in the clear fertilizer out line.
3. Set the cap adjustment knob to the desired feed rate.
4. Turn off the sprinkler or drip zone.

**EZ FLO**  
Fertilizing Systems

*Fertilize Responsibly™*

## INSTALLATION AND OPERATING GUIDE VALVE TAP KIT



**\* IMPORTANT \***  
**PLEASE READ INSTRUCTIONS  
BEFORE INSTALLING THE SYSTEM.**

Do not connect to an irrigation system that is not protected by an approved back flow prevention device such as a pressure vacuum breaker or reduced pressure zone back flow preventer.

Do not install if pressure exceeds 100 PSI

**Follow all local plumbing codes**

**Use only with non-hazardous products**

Minimize exposure to direct sunlight to maximize service life

Protect against impact from foreign objects

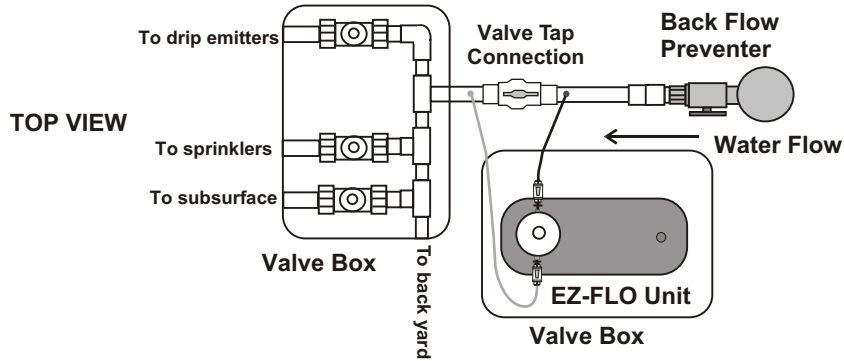
All EZ-FLO systems have been specifically designed and engineered to be installed by a professional irrigation or landscape contractor. Improper installation or use could cause risk of water contamination due to back flow or tank rupture. Failure to follow all safety instructions and warnings could result in serious bodily injury. Improper installation or use of the system voids all warranties.

**FOR ASSISTANCE OR FERTILIZER AVAILABILITY  
CALL TOLL FREE 1-866-393-5601  
OR VISIT OUR WEBSITE AT  
[www.ezflofertilizing.com](http://www.ezflofertilizing.com)**

# System Installation

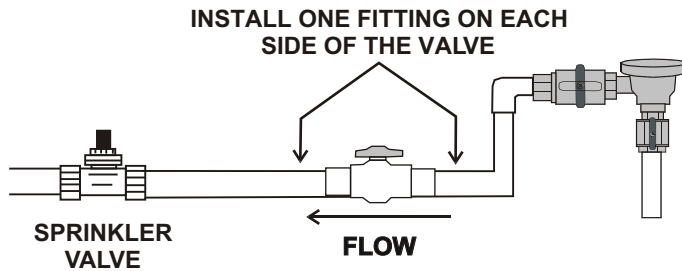
## Typical installation

The system is normally installed in a valve box, connected to the main line of the irrigation system after the back flow preventer and before the sprinkler valves. One unit will feed both drip and sprinkler zones that are downstream from the connection point.

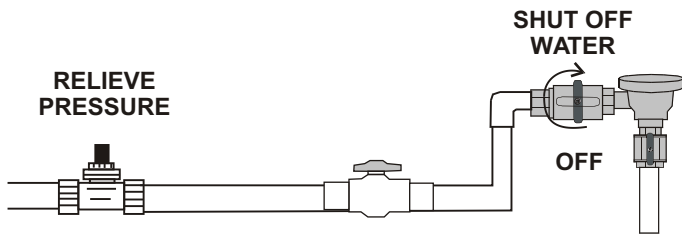


### Step 1 - Locate the installation point.

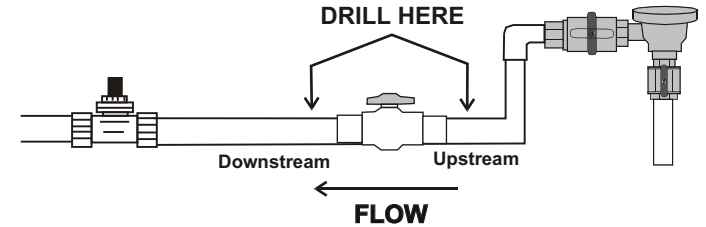
Connection must be made after an approved back flow prevention device. It is preferable to have the tank cap above the installation point in the sprinkler line if possible but it is not required for efficient operation. The connection can be made either vertically or horizontally in the sprinkler main line.



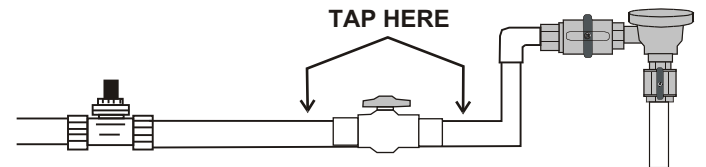
**Step 2 - Shut off water by closing a valve** at the back flow preventer or in the main line upstream from the connection point. Relieve the pressure from the line at the exhaust valve on the back flow preventer or by manually opening a sprinkler valve.



**Step 3 - Drill one hole into the sprinkler main line** on the upstream side of the valve with the included 5/16" drill bit. Make sure the drill is straight and at a 90 degree angle to the sprinkler pipe. Then drill one hole into the sprinkler main line on the downstream side of the valve following the same procedure.



**Step 4 - Using the drill in the forward position**, tap each of the two drilled holes with the included 1/8" NPT tap by slowly drilling the tap in 70% to 80% of the length of the tap threads and then put the drill in reverse and slowly remove the tap. **DO NOT DRILL TO THE FULL DEPTH OF THE TAP THREADS - THIS COULD CAUSE A LEAKY CONNECTION.**



**Step 5 - Screw the 1/8" blue and green barbed fittings into the tapped holes.** To avoid cross-threading, begin tightening by hand and then tighten with a 7/16" wrench or socket driver. The blue fitting should be screwed into the tapped hole on the upstream side of the valve and the green fitting should be screwed into the tapped hole on the downstream side of the valve. Tighten the fitting until the beveled seating surface below the fitting nut seats into the pipe. (Teflon tape or pipe thread sealant may be used.)

